

# Piaggio Ape 50 BOX Product portfolio

**F**  **O**  **D**  
**B**  **I**  **K**  **E**®

**COFFEE  
& MORE**



**ICE CREAM**



**DRINKS**





## Piaggio APE 50

Piaggio APE 50 is the smallest out of all Italian three-wheelers, which you are allowed to drive without a driving license.

**The product is available now and it can be your mobile food truck!**



**Piaggio Ape 50 is a vehicle categorized as a small motorcycle and can be used without any licence (at least according to the Polish law). In our product offer there are three available versions.**



## Compact, but well-equipped

Due to its small size, we decided to base on the prolonged version of the Piaggio Ape. Building functional food trucks, while considering its quite little interior space and restricted dimensional weight requires lots of know-how and experience. Thanks to the long, but thorough, process of finding the ideal construction, we have succeeded in reaching the full potential. It has happened due to long-term cooperation with the Piaggio brand.

Our aim was to find a solution, through which the most common food products would be able to be sold, while maintaining the minimum amount of time required for the investment to be fully covered. Therefore, we have been able to offer three different versions of Piaggio Ape 50. They present themselves as follows: Prosecco/beer, Ice cream, Coffee.

Each of the aforementioned versions is designed so that the space inside the truck is maximised, while maintaining an ergonomic and comfortable working environment.

## Materials & our standards

The interior as well as exterior of the module is made of light aluminium. Each version of the truck has is furnished with sanitary annexes with access to hot and cold water. Power system provides over 10 hours of stored energy. Working and folding tables are made of stainless steel. Each Piaggio is equipped with an information board available to customers, which is attached to the front of the truck.



**Aluminium -  
light metal, which is used in the  
production of modules**



**Sanitary annex  
is a must  
in our products**



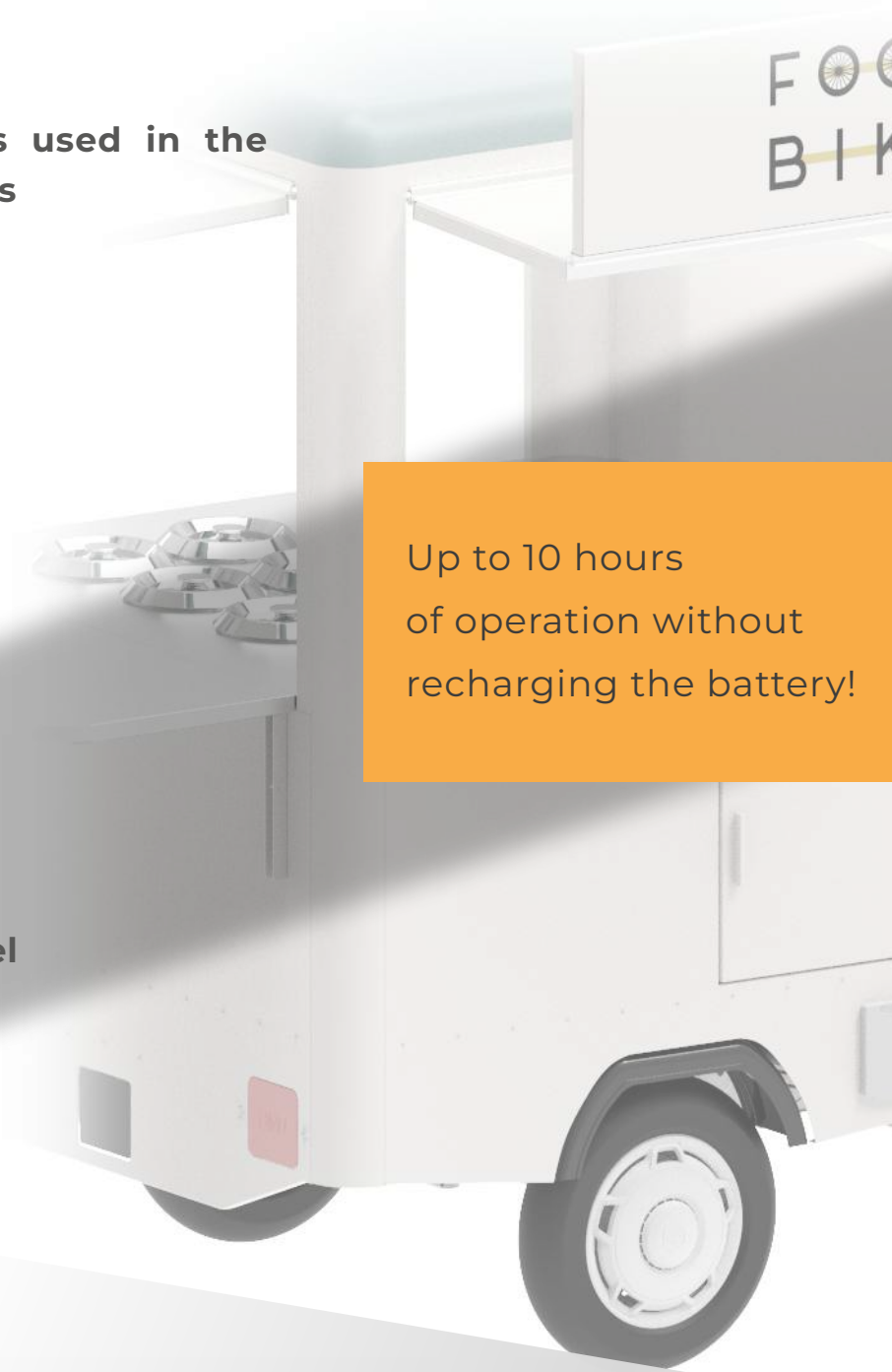
**Access  
to hot  
and cold water**



**Working  
and folding table  
made of stainless steel**



**Information board  
for the clients**



Up to 10 hours  
of operation without  
recharging the battery!

Piaggio Ape 50 BOX  
Product portfolio



ICE CREAM



A version  
dedicated  
for ice cream

## Ice cream version

Mobile ice cream truck is equipped with everything that is needed to sell ice cream. Efficient freezer can contain up to 8 cylindrical containers (approx. 40 kg of ice cream)

A standard battery allows up to 10 hours of constant work.

Disclaimer: If your Piaggio is going to be affected by severe weather conditions such as draught, then we recommend ordering a larger battery, which could boost run time even up to 150% more than the basic version.





COFFEE & MORE



Coffee  
shop  
version/  
universal



## Coffee shop version/universal

Mobile coffee shop was designed for coffee drinkers. The standard version is equipped with a 1-group coffee machine from Fracino company as well as a coffee grinder. Inside the truck you can also find a cup dispenser and a coffee grounds container. Water can be heated thanks to gas (propane). The truck is also equipped with a small fridge that can contain products such as milk and other products. If you think about adding some other features to the truck, you can easily do so. The interior of the truck can be easily adapted and transformed into a pancake shop or any other. It is just a matter of time.







## DRINKS



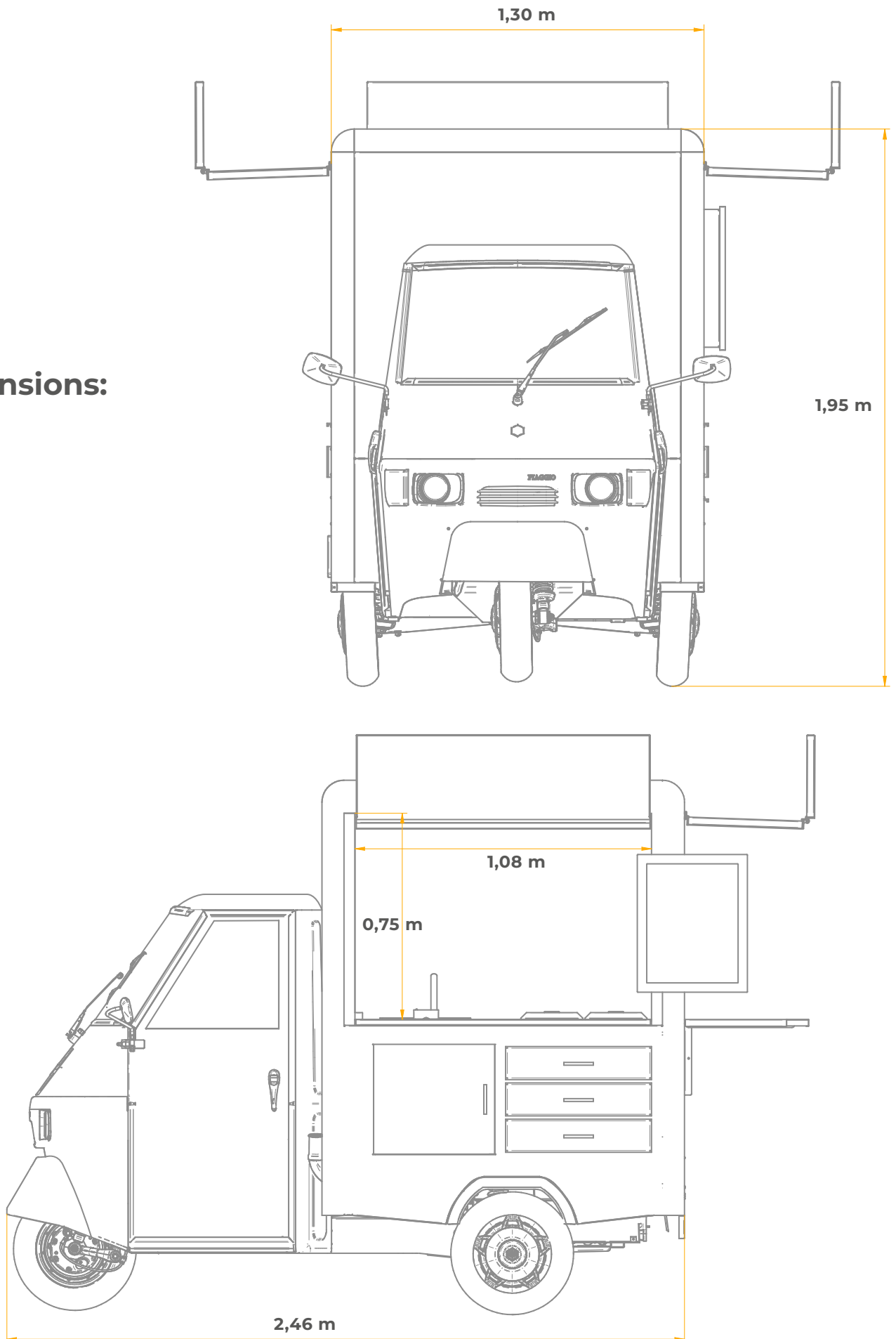
Prosecco  
/drink  
truck

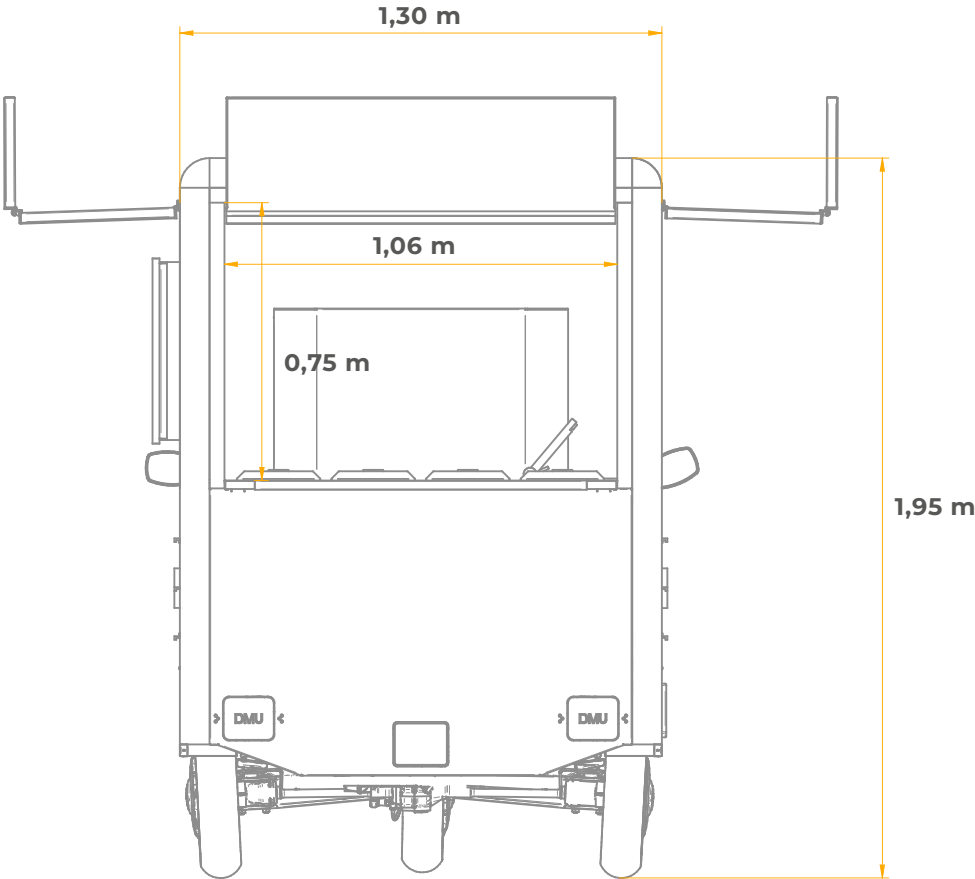
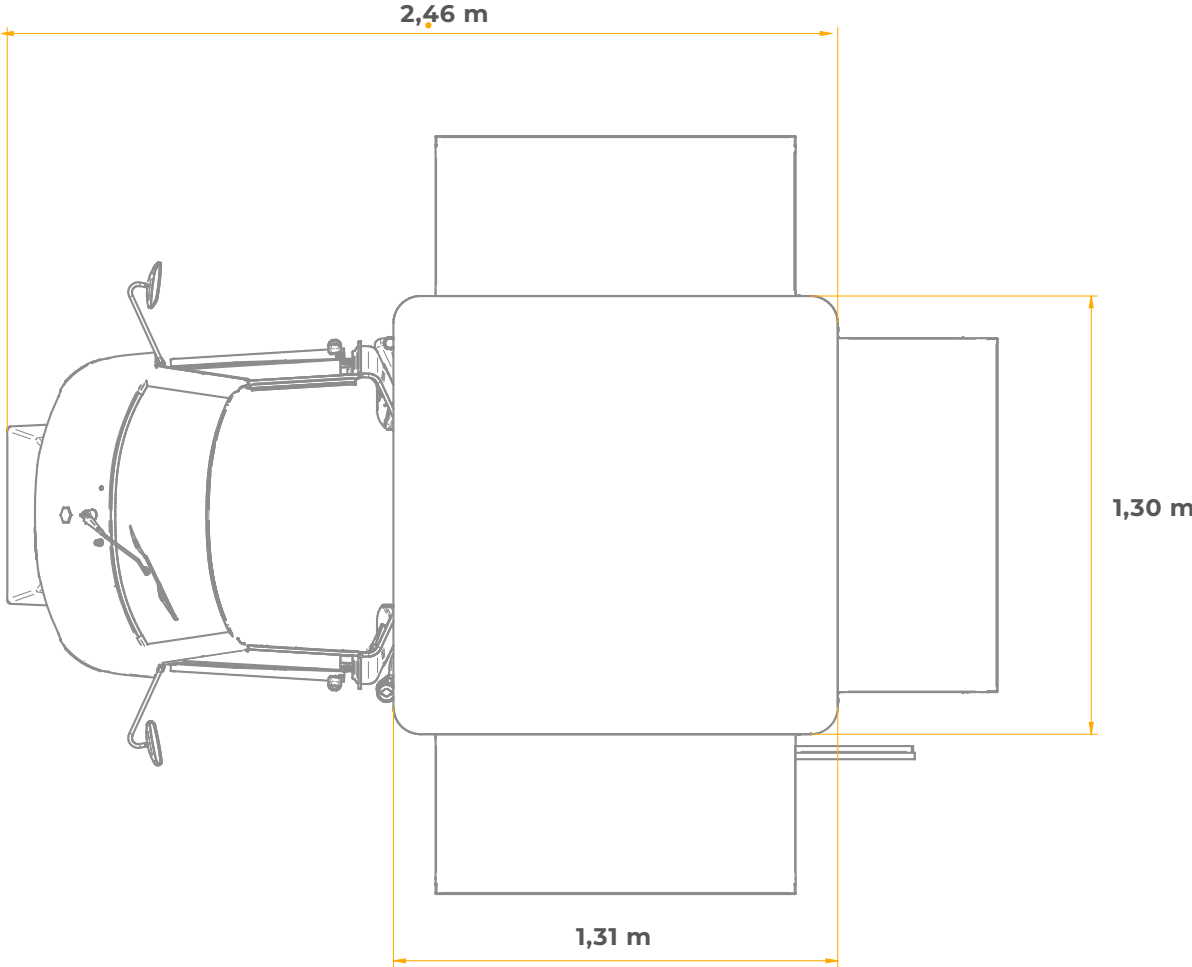
## Drink truck

One of the unique wedding ideas. Its elegant form is incredibly eye-catching not only during wedding, but at many outdoor events. This particular truck is fully equipped with all necessary accessories so that the only thing that is left is applying a keg with your favourite beverage inside. The standard version consists of two taps that are directly connected to a fridge, shelves and a storage for wine or beer glasses.



Dimensions:





# Piaggio Ape 50 Box

[www.foodbike.pl](http://www.foodbike.pl)



## Price list (net)

Ice cream box

**11.880 €**

---

Coffee & others box

**10.560 €** (without coffee machine and coffee grounds container)

Approximate cost of a coffee machine  
and coffee grounds container: **+6.600€**

---

Drink box (prosecco, beer, wine)

**13.000 €**

<b>More:</b>
Piaggio Ape 50 (pickup long) <b>6400€</b>
Engine 75cc <b>780€</b>
Vehicle painting (exterior + doors) <b>1120€</b>

Feel free to contact us.

[office@foodbike.pl](mailto:office@foodbike.pl)

+ 48 517 274 427